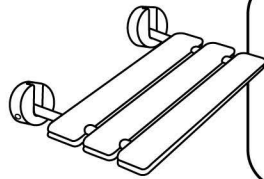




ABS16S

SHOWER SEAT INSTALLATION INSTRUCTIONS

PARTS:



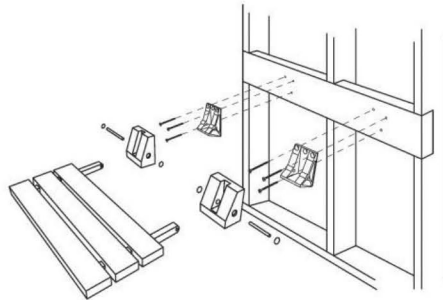
- 1 - SEAT ASSEMBLY
- 8 - FLAT HEAD SCREWS
- 8 - PLASTIC WALL PLUGS
- 2 - WALL BRACKETS
- 2 - WALL BRACKET COVERS
- 2 - MOUNTING PINS
- 2 - CAPS

SAFETY NOTICE:

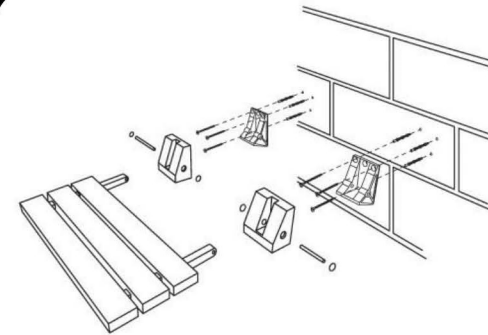
The mounting brackets must be anchored to a solid structure ensuring a safe and secure installation. As a minimum standard, follow recommended installation below.

INSTALLATION (Refer to illustrations)

Drill 4 or 6 holes, whichever is required for installation using template provided. Secure wall brackets to the wall as shown below. Place wall bracket covers over brackets and secure seat assembly in place with the mounting pins. After assembly is completed fit caps into pin holes.



- 1. WOOD HEADER** (mounting wood)
16" on center (use template provided). Wooden header must be 6"x2" or equivalent and must be an adequate anchor base, secured into existing studs. Use 6 flat head screws provided. Screws should penetrate into the header a minimum of 1 1/2". A 1/4" dia masonry drill should be used to drill through tile and board to create enough clearance for screw.



- 2. MOUNTING** (Masonry, brick, block wall)
16" on center (use template provided). Install 6 plastic wall plugs provided. A 0.4" diameter masonry drill should be used for this application.

Note:

1. When properly installed, the maximum safe loading weight on this seat is 300 lbs.
2. Before finalizing installation, seat height must be determined to meet your needs/preference.